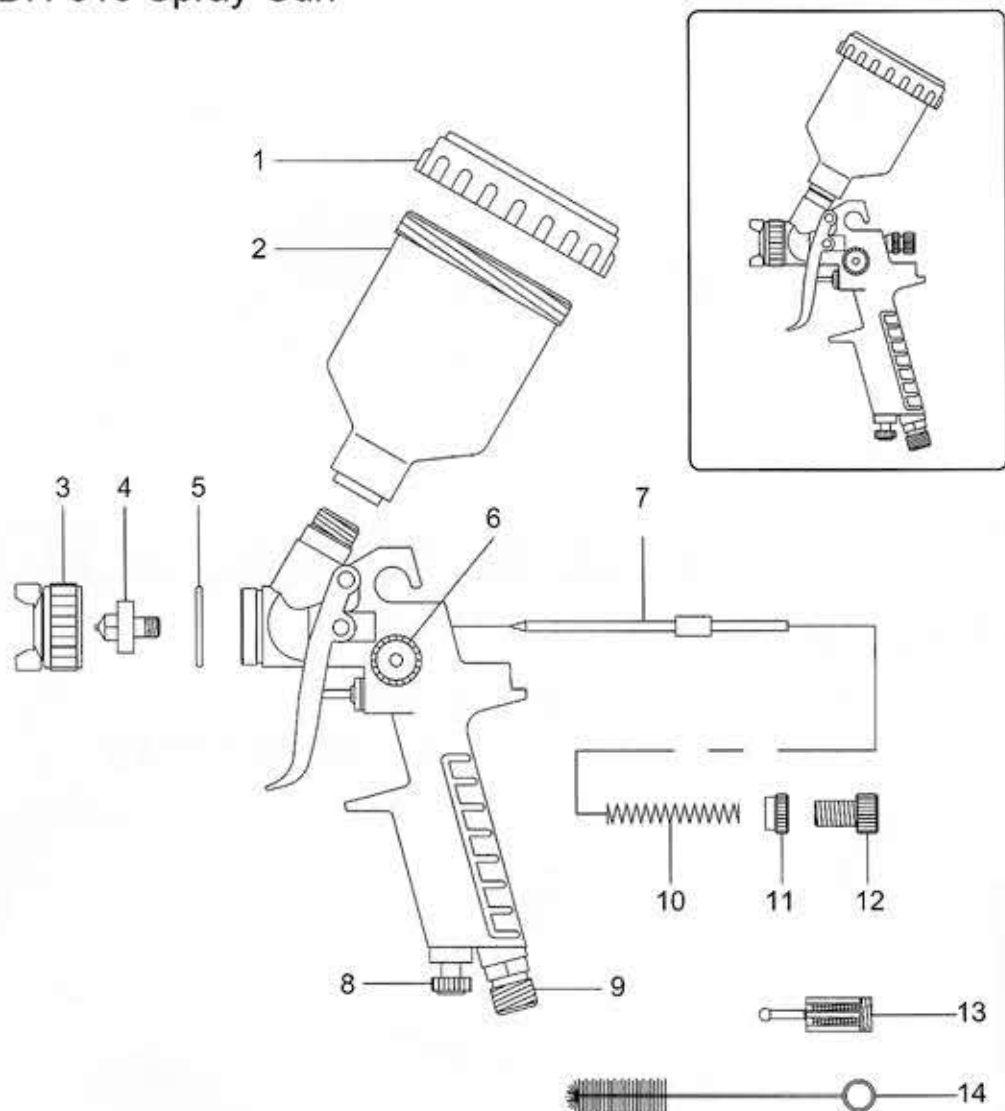


AIRBRUSH PARTS

DH-810 Spray Gun



OPTIONAL (Nozzle size: a: 0.5mm / b: 0.8 mm)

INDEX	DESCRIPTION	INDEX	DESCRIPTION	INDEX	DESCRIPTION
1	Cup cover	6	Pattern adjusting screw	11	Needle adjusting nut
2	Plastic cup	7	Fluid needle	12	Needle adjusting screw
3	Needle cap	8	Air micrometer	13	Optional filter
4	Fluid nozzle	9	Airline connector (PS 1/4")	14	Brush
5	O-ring	10	Needle spring		